

**1-BIN TRAY UNIT**  
**(Machine Code: A898/B413)**

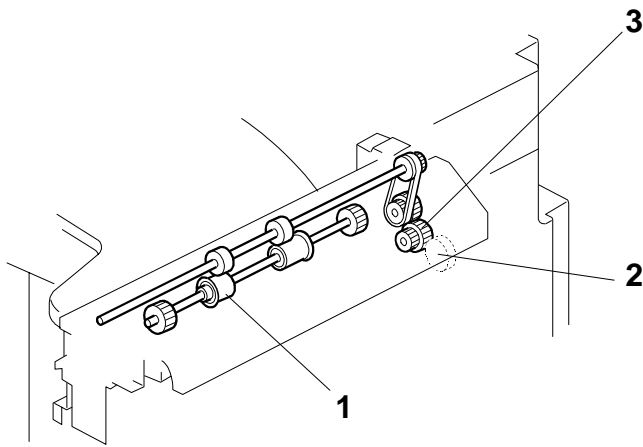
---

# 1. OVERALL INFORMATION

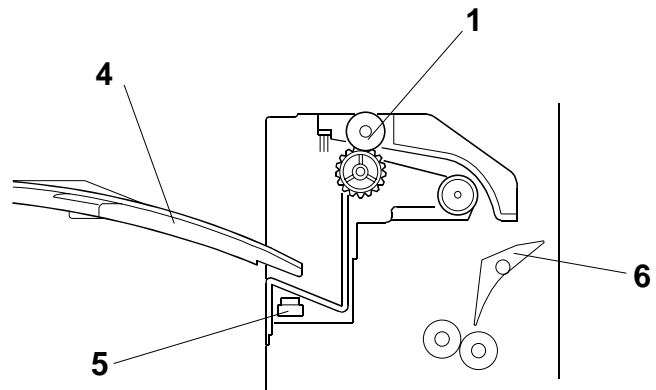
## 1.1 SPECIFICATIONS

Paper Size:	Standard Size: A5 Lengthwise to A3 HLT Lengthwise to DLT Non-standard Size: Paper Width: 90 ~ 297 mm Paper Length: 148 ~ 432 mm
Paper Weight:	60 ~ 105 g/m <sup>2</sup> , 16 ~ 28 lbs.
Tray Capacity:	125 sheets (80 g/m <sup>2</sup> , 20 lbs.)
Power Source:	5 VDC, 24 VDC (from the copier)
Power Consumption:	17 W
Weight:	1.1 kg
Size (W x D x H):	530 mm x 410 mm x 120 mm

## 1.2 MECHANICAL COMPONENT LAYOUT



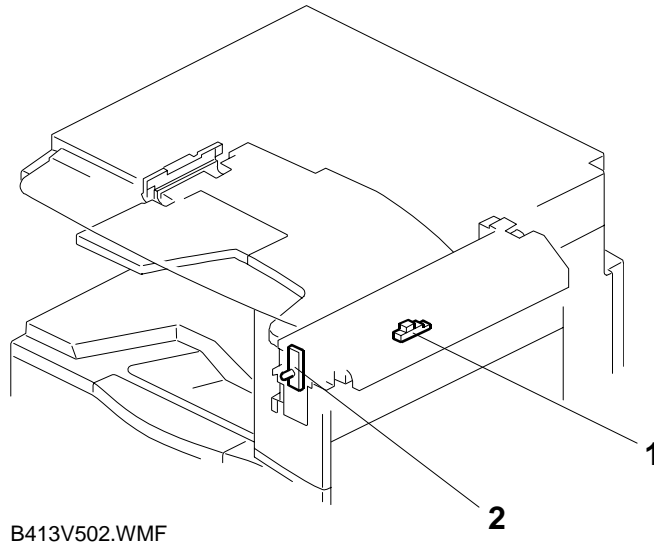
B413V500.WMF



B413V501.WMF

1. Exit Rollers
2. Junction Gate Gear
3. Drive Gear
4. Paper Tray
5. Paper Sensor
6. Junction Gate (Interchange Unit)

### 1.3 ELECTRICAL COMPONENT LAYOUT



- 1. Paper Sensor
- 2. 1-bin Sorter Exit Tray LED  
(located in the copier)

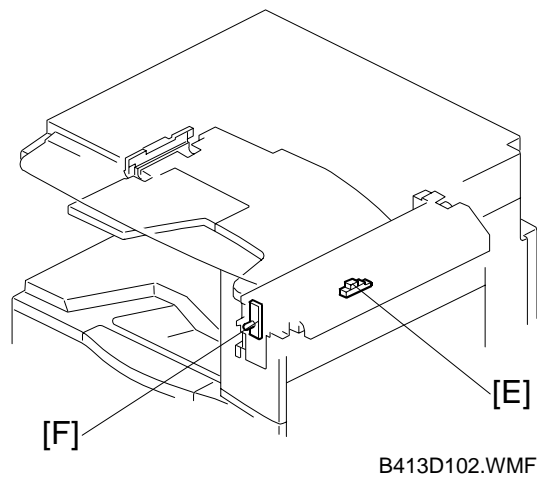
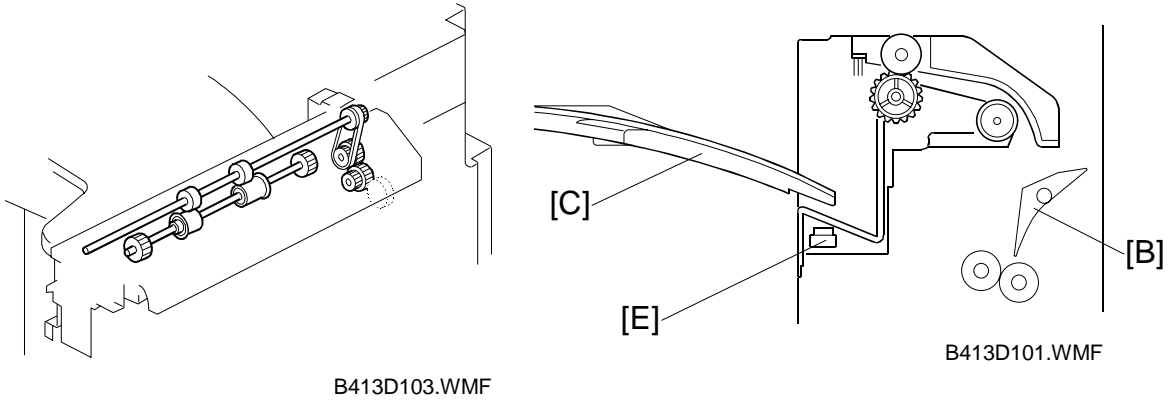
### 1.4 ELECTRICAL COMPONENT DESCRIPTION

Symbol	Name	Function	Index No.
<b>Sensors</b>			
S1	Paper	Detects whether there is paper on the tray.	1
<b>LEDs</b>			
LED1	1 Bin Exit Tray	Indicates when there is paper in the tray. This sensor is located in the copier.	2

Options

## 2. DETAILED SECTION DESCRIPTIONS

### 2.1 BASIC OPERATION



At the appropriate time after the leading edge of the first sheet of copy paper reaches the copier's registration roller, the junction gate solenoid [B] in the interchange unit turns on to switch the junction gate to direct the paper to the tray [C].

The junction gate solenoid turns off at the appropriate time after the paper is directed to the tray. The main motor in the copier stops after the final sheet passes through the paper sensor [E].

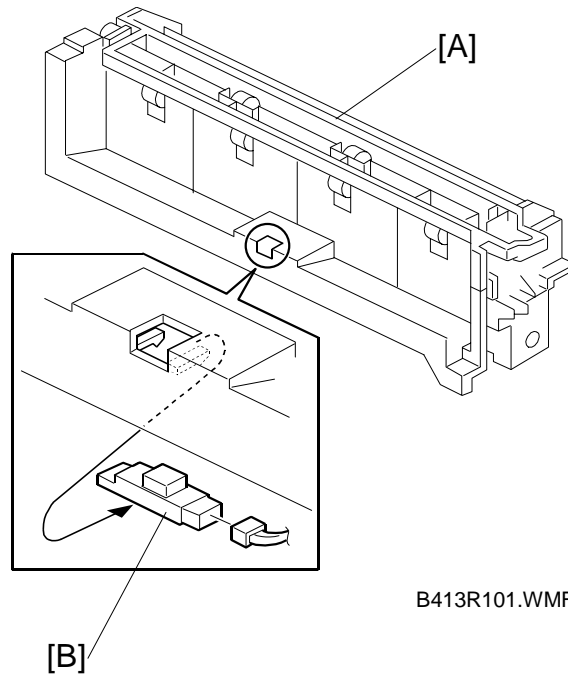
The paper sensor [E] turns on when there is paper in the tray, and the paper indicator [F] turns on.

The tray can be opened for easier jam removal by swinging the tray to the left.

---

## 3. REPLACEMENT AND ADJUSTMENT

### 3.1 PAPER SENSOR REMOVAL



B413R101.WMF

1. Remove the 1-bin tray.
2. Remove the 1-bin sorter unit [A].
3. Remove the paper sensor [B] (1 connector).